

## Typical applications:


- ◆ Lamp lighting
- ◆ Rotary stage
- ◆ Rotary lamp box
- ◆ Rail system

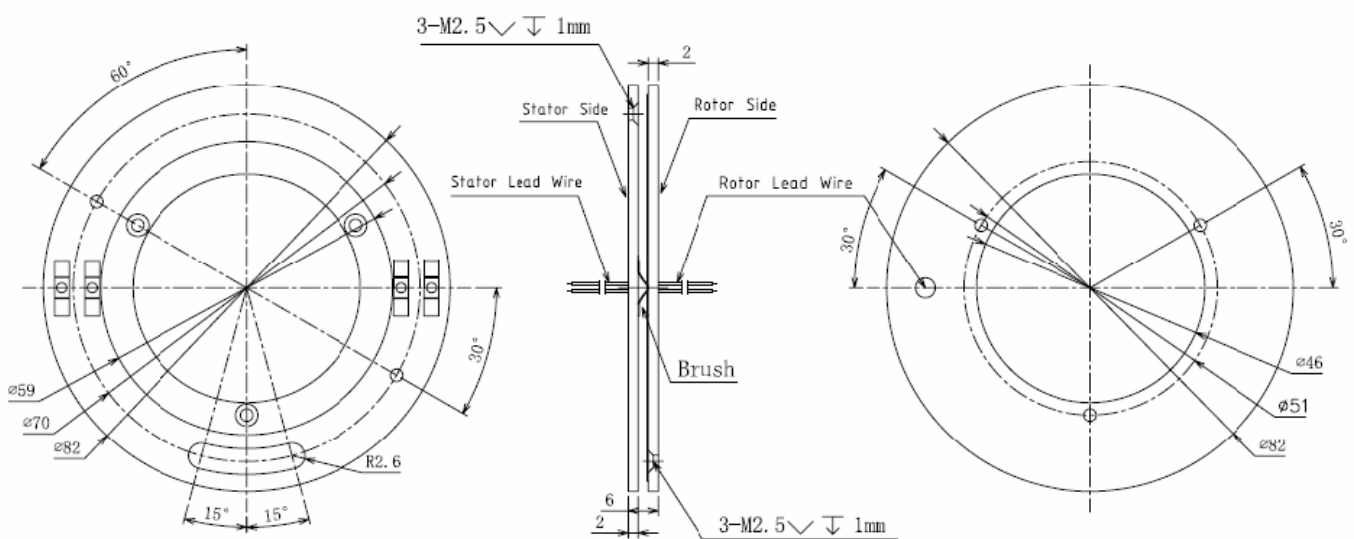
## Feature:

- ◆ Slim thickness
- ◆ Economy cost

## Advantage:

- ◆ Reliable contact between brush and ring
- ◆ Flexible installation
- ◆ Suitable for signal and power transfer of rotating devices or instrument
- ◆ Compact size

PSCN02 Specification		Picture
Type	Separate PCB type	
Number of ring	2	
Operating speed	0-100rpm	
Current Rating	2x5Amp	
Voltage	380VAC/DC	
Electrical noise	30 milliohms max.	
Operating temperature	-20~+60°C	
Contact material	Precious metal	
Material	PCB	
Thickness after assembly	6mm	



UNIT: mm