

ECN070

Through hole slip ring

The through hole slip ring transmits the electric and the CC-link signal simultaneously. CENO offers the custom slip ring for different special feature requirements like the anti-shock, high-temperature resistance, water-proof, dust-proof, excellent seal performance etc. With strong customizing capability, professional suggestion, strict product testing, fast and safe delivery. Welcome to consult CENO slip ring product or customizing service.

Features


- ◆ Low electric noise
- ◆ High performance
- ◆ Long lifetime
- ◆ IP grade up to IP68

Applications

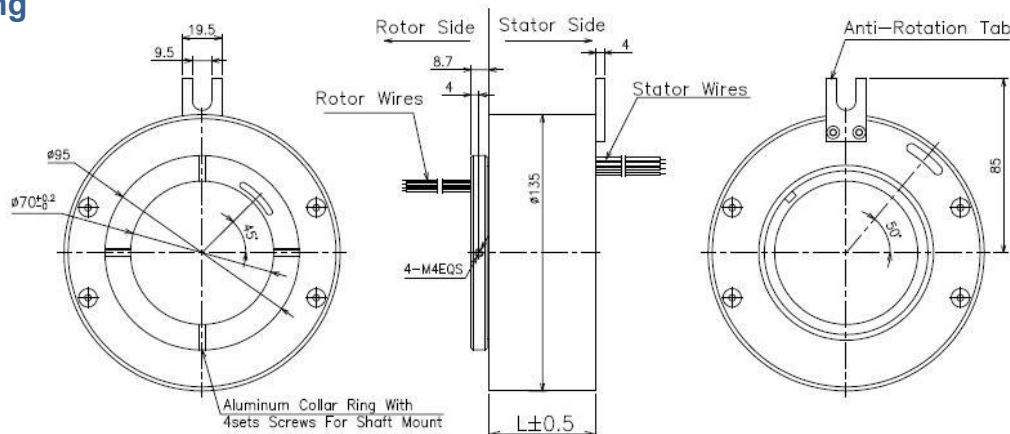
- ◆ Wrapping machinery
- ◆ Industrial machinery
- ◆ Wind power system
- ◆ Exhibit Display machinery

Optional

- ◆ Through hole size
- ◆ Current & ring numbers
- ◆ Signal type
- ◆ IP protection grad

ECN070	Specification	Picture
Circuits number	6, 12, 18, 24 or more	
Current rating	5A, 10A, 15A	
Inner bore size	70 mm	
Voltage	380VAC/VDC	
Electrical noise	1000 milliohms max	
Operating speed	0-300 rpm or higher	
Contact material	Precious metal	
Housing material	Aluminum alloy	
IP grade	IP54	
Working temperature	-20°C ~ +60°C	

Outline Drawing



Length (mm)				
Current	6 circuits	12 circuits	18 circuits	n circuits
5A	52.5	70.5	88.5	$36+n*1.5+(n-1)*1.5$
10A	56.7	78.9	101.1	$36+n*2.2+(n-1)*1.5$
15A/20A	61.5	88.5	115.5	$36+n*3+(n-1)*1.5$
25A/30A	70.5	106.5	142.5	$36+n*4.5+(n-1)*1.5$