


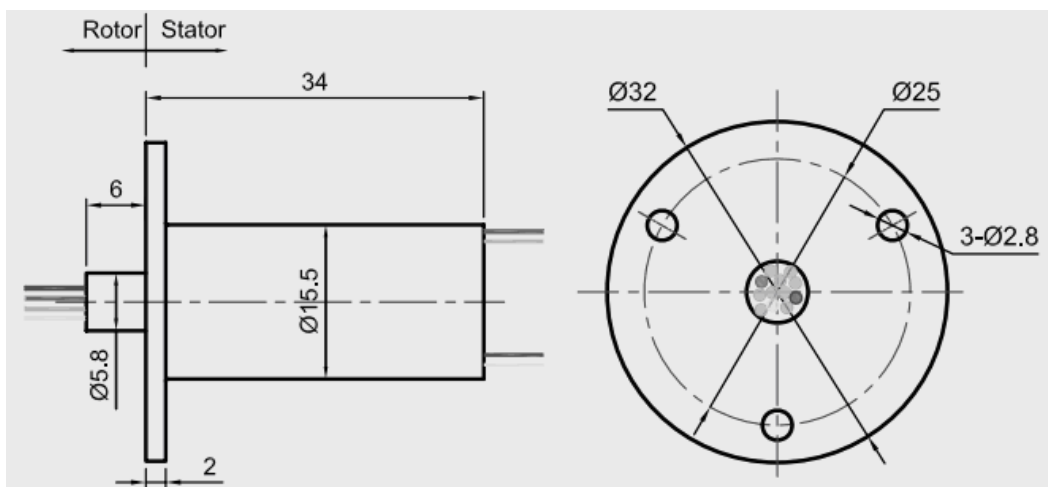
BCN15-24 Capsule Slip Ring

CENO slip ring can be used in any electromechanical system which require continual rotation during power and signal transferring from stationary to rotating structure.

This series slip ring has OD range from 5.5mm to 25mm are all optional. Featured with military standard gold to gold contact. The circuit number up to 80 circuits and current milliampere to 30A are available in such compact housing.

BCN15-24 Specification		Picture
Operating Speed	0-300 rpm	
Number of circuits	24	
Current Rating	2A/circuit	
Voltage	240 VAC/DC	
Size	Φ15.5 x 34mm	
Operating Humidity	60%RH or higher	
Electrical noise	<10m Ω	
Operating temperature	-20~+80°C	
Protection Grade	IP54	
Housing Material	Engineering Plastics	
Contact Material	Precious Metals	
Lead wire size	28# silver plated copper	
Option	<ul style="list-style-type: none"> • Lead wire length • IP grade • Operating speed 	

Outline drawing:



CENO reserves the right to change this Datasheet without notice!